

**G22 Family of Bend Fixtures**  
**3 & 4 Point Flexural Bend Fixtures**  
**Modular & Configurable**

The G22 Bend Fixture Series features a modular design enabling it to expand to a variety of test scenarios. The fixtures are available in force capacities of 11,250 lb (50 kN) to 67,000 lb (300 kN). The entry level configuration is a 3 point fixture that expands to 4 point applications with an additional kit. The fixture performs a variety of bend, flexural and fracture tests to make flexural modulus, flexural strength and flexural yield strength measurements. Interchangeable rollers, anvils, and supports ensure it can meet your needs today as well as expand in the future.

Each 3 point setup includes a support span base matched to length needs with two lower adjustable anvils to handle specimens of different spans, plus a single upper loading anvil. The 4 point kit adds an upper loading span with two anvils and rollers.

Both upper and lower fixtures are mounted to your test machine, using adapters available from TestResources.

Rollers are interchangeable so different diameters and lengths are easy to handle. The base includes a ruler that simplifies manual centering.

Specimen deflection can be measured through machine head displacement, or directly via an optional deflectometer such as a Model 3540.

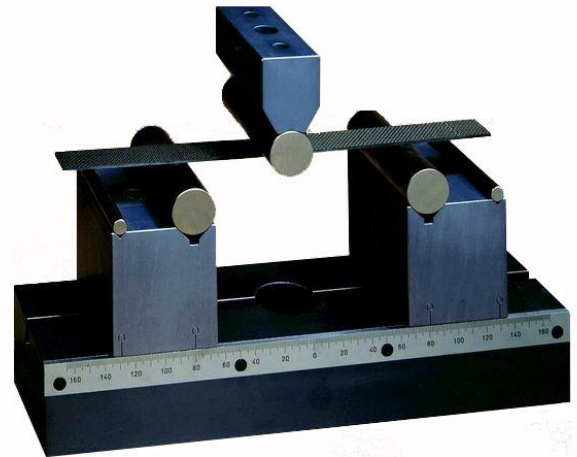


Fig 1 - Model G22-360 – 3 Point Bend Fixture with 360 mm base

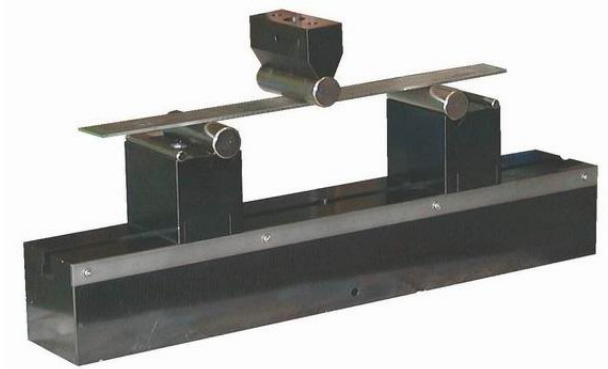
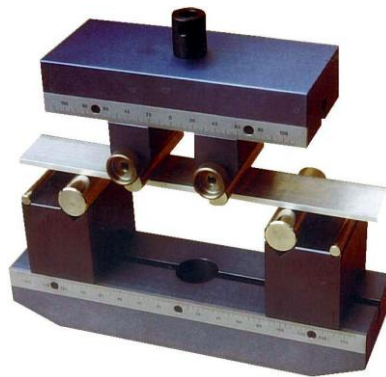


Fig 3 G22-500 – 500 mm base

Fig 2 G22-360-4P  
Four Point Setup



**Features**

- Applications: Static flexure, bend, and cyclic flexure tests
- Specimen types: Metal, Composites, plastics, alloys and other materials
- Modular design satisfies virtually any application requirement – available in different lengths, different anvil designs, and interchangeable roller diameters.
- Engineered solutions available.
- Three-point bend fixture is standard. We offer an optional conversion kit for four point loading.
- Conforms to ASTM, DIN, ISO and other industry standards.
- Adjustable span distance for a wide range of sample lengths.

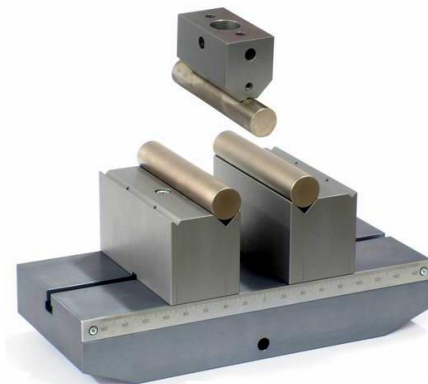
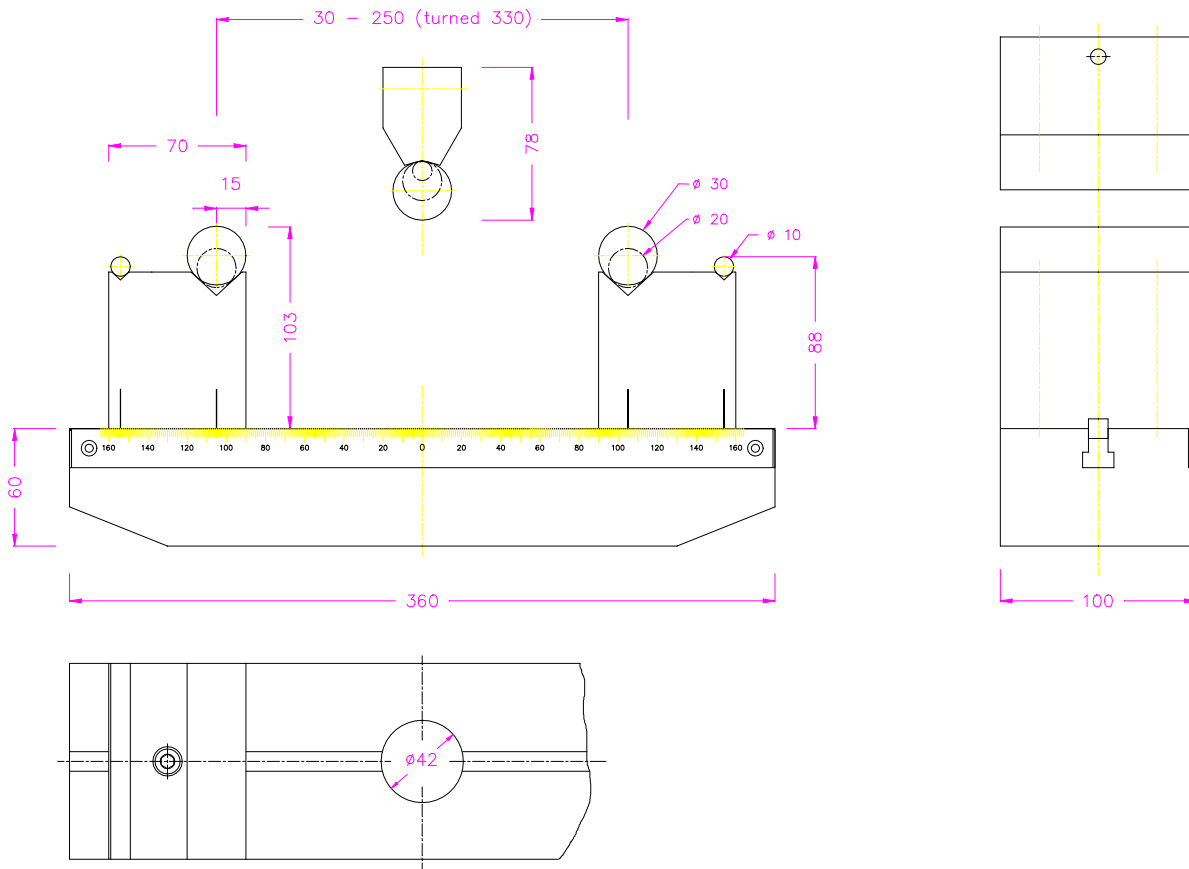


Fig 4 G22-360-W160 – Wide (160 mm) base

## Specifications - 3 Point Fixture

Model Number:	G22-360	G22-XXX	G22-22-360
Force Capacity	50 kN (11,250 lb)	50 kN (11,250 lb)	100 kN (22,500 lb)
Lower Support Span	10 to 330 mm (0.4 to 13")	Length to order	10 to 330 mm (0.4 to 13")
Overall Length of Base	360 mm (14.2")	Length to order	360 mm (14.2")
Width of Base	100 mm (3.9")	Width to order	100 mm (3.9")
Width of Roller	100 mm (3.9")	Width to order	100 mm (3.9")
Interchangeable Roller	Diameters supplied to order (e.g.): 0.5, 1, 2, 3, 4, 5, 6, 8, 10, 12 mm or 0.25", 0.5", 1.00", etc		

### G22-360 Shown – all units metric



## Anvils



Fig 5 J22U Universal V Style Support Anvil



Fig 6 J22N Loading Nose/Anvil

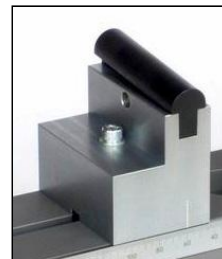
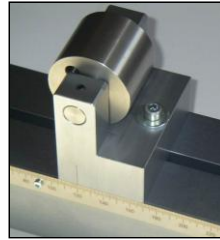
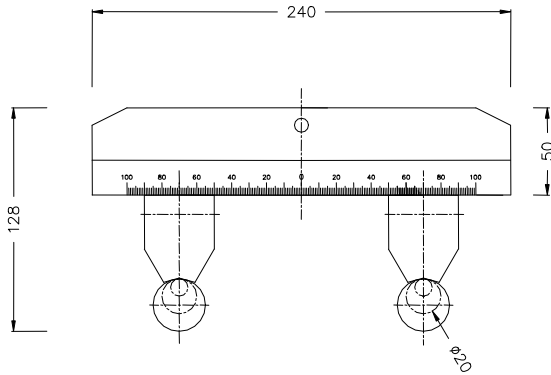


Fig 7 J22G Articulating Support Anvil for ceramics & glass

**Optional 4 Point Kit**

Add On Kit Model Number	G22-4P	G22-22-4P
Prerequisite	Requires G22 3 Point	
Force Capacity	50 kN (11,250 lb)	100 kN (22,500 lb)
Upper Span	40 to 200 mm	40 to 200 mm
Overall Length of Upper Span	240 mm (9.6")	240 mm (9.6")
Width	100 mm (3.9")	200 mm (8")
Interchangeable Roller	Diameters supplied to order	



J22R Large Roller on bearings



J22 Milled or machined knife edge 'roller'.