

## **G318 Family**

### **3 & 4 Point Flexural Bend Fixtures**

**Modular & Configurable**

The G318 Flexural Bend Fixture Series features a modular design enabling it to expand to a variety of test scenarios. The fixtures are available on force capacities to 112,500 lb (500 kN) with anvils and bases 160 mm (6 in) wide.

The fixture performs a variety of bend, flexural and fracture tests to make flexural modulus, flexural strength and flexural yield strength measurements. Interchangeable rollers, anvils, and supports ensure it can meet your needs today as well as expand in the future.

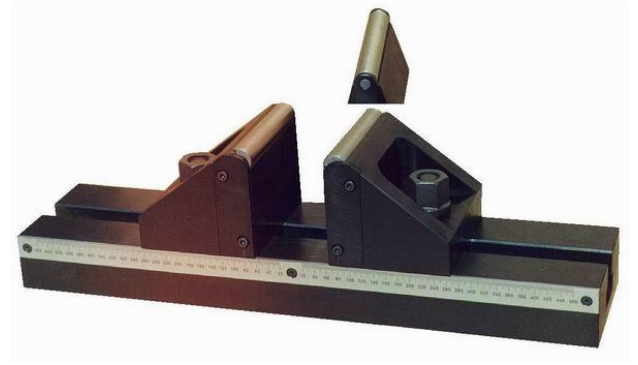
3 point setup include a support span base matched to length needs with two lower adjustable anvils to handle specimens of different spans, plus a single upper loading anvil. The 4 point kit adds an upper loading span with two anvils and rollers. Both upper and lower fixtures are mounted to your test machine, using adapters available from TestResources.

Rollers are interchangeable so different diameters and lengths are easy to handle. The base includes a ruler that simplifies manual centering.

Specimen deflection can be measured through machine head displacement, or directly via an optional deflectometer such as a Model 3540.

## **Features**

- Applications: Static flexure, bend, and cyclic flexure tests
- Specimen types: Metal, Composites, plastics, alloys and other materials
- Modular design satisfies virtually any application requirement – available in different lengths, different anvil designs, and interchangeable roller diameters.
- Engineered solutions available.
- Three-point bend fixture is standard. We offer an optional conversion kit for four point loading.
- Conforms to ASTM, DIN, ISO and other industry standards.
- Adjustable span distance for a wide range of sample lengths.



G318 Flexural Bend Fixture

